

# Honeywell

## EASTOVER 52" CEILING FAN

MODEL #10214

**Español p. 17**



**Questions, problems, missing parts?** Before returning to your retailer, call our customer service department at 1-877-361-3883, Monday - Thursday, 8 am - 6 pm, EST and Friday, 8 am - 5 pm, EST.

# WELCOME

## TABLE OF CONTENTS

---

Care and Maintenance . . . . .	2
Package Contents . . . . .	3
Safety Information . . . . .	4
Mounting Bracket Installation . . . . .	5
Hanging Your Fan . . . . .	6
Wiring . . . . .	7
Motor Housing Installation . . . . .	8
Blade Installation . . . . .	9
Light Kit Installation . . . . .	10
Final Installation . . . . .	12
Operating Installation . . . . .	13
Replacement Parts List . . . . .	14
Troubleshooting . . . . .	15
Limited Lifetime Warranty . . . . .	16

## ATTACH YOUR RECEIPT HERE

---

Serial Number \_\_\_\_\_  
Purchase Date \_\_\_\_\_

## PREPARATION

---

Before beginning the assembly of this product, ensure that all parts are present. Compare all parts with the package contents list and hardware contents list. If any part is missing or damaged, do not attempt to assemble the product.

After opening the top of the carton, remove the mounting hardware package from the foam inserts, then remove the motor from the packaging and place it on a soft surface, such as a carpet, to avoid damage to the finish.

**Estimated Assembly Time:** Under 60 minutes

Tools Required for Assembly (not included): Electrical Tape, Phillips Screwdriver, Pliers, Safety Glasses, Step Ladder, and Wire Strippers

Helpful Tools (not included): AC Tester Light, Tape Measure, Wiring Handbook, and Wire Cutters

## CARE AND MAINTENANCE

---

At least twice each year, lower the canopy to check the downrod assembly, and then tighten all screws on the fan. Clean the motor housing with only a soft brush or lint-free cloth to avoid scratching the finish. Clean the blades with a lint-free cloth. You may occasionally apply a light coat of furniture polish to wood blades for added protection.

**Important:** Shut off the main power supply before you begin any maintenance tasks. Do not use water or a damp cloth to clean the ceiling fan.

## FAN WEIGHT

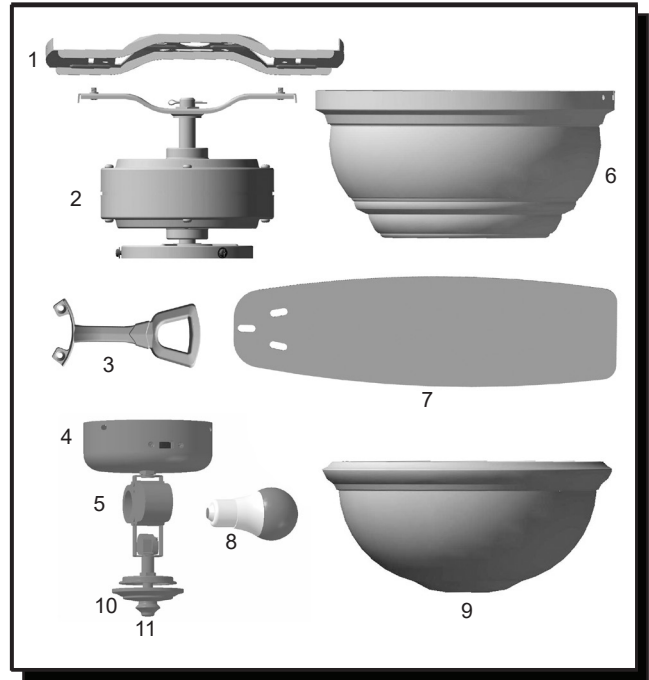
---

The net weight of this fan is: 16.28 lbs. (7,38 kg).

## PACKAGE CONTENTS

Unpack your fan and check the contents. You should have the following items:

1. Upper Mounting Bracket
2. Motor with Lower Mounting Bracket
3. Blade Arm (5)
4. Switch Housing
5. Light Kit
6. Motor Housing
7. Blade (5)
8. E26-base LED Bulbs (2)
9. Glass Bowl
10. Finial Cap
11. Finial
12. Loose parts bags containing (not shown):  
Mounting hardware, electrical hardware, pull chains, wire connectors, etc.
13. Owner's Manual (not shown)



## SAFETY INFORMATION

Please read and understand this entire manual before attempting to assemble, operate, or install the product.

- Before you begin installing the fan, disconnect the power by removing fuses or turning off the circuit breakers.
- Make sure that all electrical connections comply with local codes, ordinances, the National Electrical Code, and ANSI/NFPA 70-199. Hire a qualified electrician or consult a do-it-yourself wiring handbook if you are unfamiliar with installing electrical wiring.
- Make sure the installation site you choose allows a minimum clearance of 7 ft. (2,14 m) from the blades to the floor and at least 30 in. (76 cm) from the end of the blades to any obstruction.

### **DANGER**

When using an existing outlet box, make sure the outlet box is securely attached to the building structure and can support the full weight of the fan. Failure to do this can result in serious injury or death. The stability of the outlet box is essential in minimizing wobble and noise in the fan after installation is complete.

### **WARNING**

To reduce the risk of fire or electric shock, do not use the fan with any solid-state speed-control device or control the fan speed with a full-range dimmer switch.

### **WARNING**

To reduce the risk of fire, electric shock, or personal injury, do not bend the blade arms when installing them, balancing the blades, or cleaning the fan. Do not insert objects between the rotating fan blades.

### **WARNING**

To reduce the risk of fire, electric shock, or personal injury, mount the fan to an outlet box marked “ACCEPTABLE FOR FAN SUPPORT” and use the mounting screws provided with the outlet box. Most outlet boxes commonly used for the support of lighting fixtures are not acceptable for fan support and may need to be replaced. Consult a qualified electrician if in doubt. Secure the outlet box directly to the building structure. The outlet box and its support must be able to support the moving weight of the fan at least 35 lbs. (15,88 kg).

### **CAUTION**

Be sure the outlet box is properly grounded or that a ground (green or bare) wire is present.

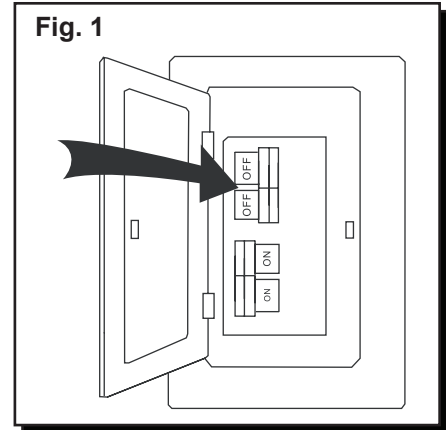
### **CAUTION**

Read all instructions and safety information before installing your new fan. Review the accompanying assembly diagrams.

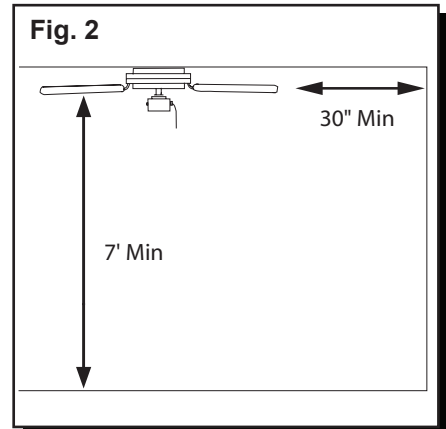
## MOUNTING BRACKET INSTALLATION

1. Turn OFF the electrical power at the main fuse or circuit breaker (Fig. 1).

**⚠ DANGER:** Failure to disconnect the power supply prior to installation may result in serious injury or death.

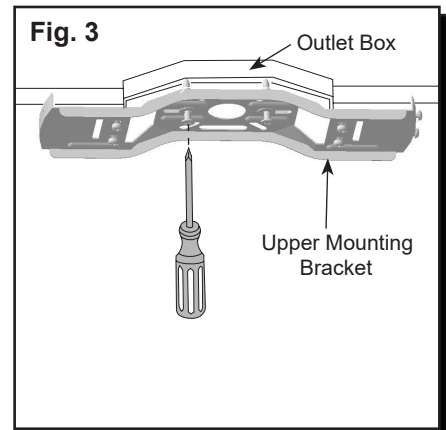


2. Ensure that the blades will be at least 30 in. (76 cm) from any obstruction and at least 7 ft. (2,13 m) above the floor (Fig. 2).



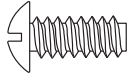
3. Secure the upper mounting bracket to the outlet box using screws provided with the outlet box (Fig. 3).

**Note:** It is very important that you use the proper hardware when installing the mounting bracket as this will support the fan.



## HANGING YOUR FAN

- Remove the four bracket screws from underneath the lower mounting bracket and save for later use (Fig. 4).



Bracket Screw



Washer

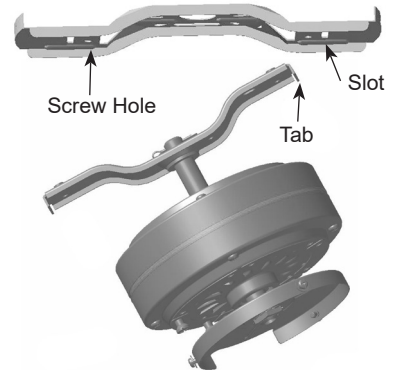
- Place tab on the lower mounting bracket into slot in the upper mounting bracket. Then slide the second lower mounting bracket tab into the second slot on the upper mounting bracket until all four screw holes are in alignment (Fig. 5).

**Fig. 4**

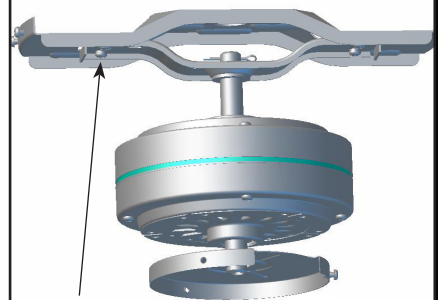


Bracket Screw  
and Washer

**Fig. 5**

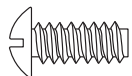


**Fig. 6**



Bracket Screw  
and Washer

- Reinstall the previously removed bracket screws underneath the lower mounting bracket and into the upper mounting bracket. Securely tighten the screws (Fig. 6).



Bracket Screw



Washer

## WIRING

### ⚠ CAUTION ⚠

Be sure outlet box is properly grounded or that a ground (green or bare) wire is present.

### ⚠ WARNING ⚠

If house wires are different colors than referred to in the following step, stop immediately. A professional electrician is recommended to determine wiring. Incorrect wire connection can damage the receiver and could cause fire or injury.

7. Connect supply and fan wires according to the diagram (Fig. 7) and these steps:
  - Connect the Green wires from mounting bracket to the Bare/Green (ground) supply wire.
  - Connect the Black and Blue wire from the fan to the Black (live) supply wire.
  - Connect the White wire from the fan to the White (neutral) supply wire.

Secure all wiring connections together with wire connectors and push all connected wires back into the outlet box.

8. **(Optional)** If a second hot power wire is available from outlet box, connect it to the blue (light power) wire from the fan for separate light and fan control (Fig. 8).

**Important:** The black fan wire is power for fan. The blue fan wire is power for the light. The white wire from the fan is common/neutral. The green wires from the fan and mounting bracket are ground wires.



Wire Connector

Fig. 7

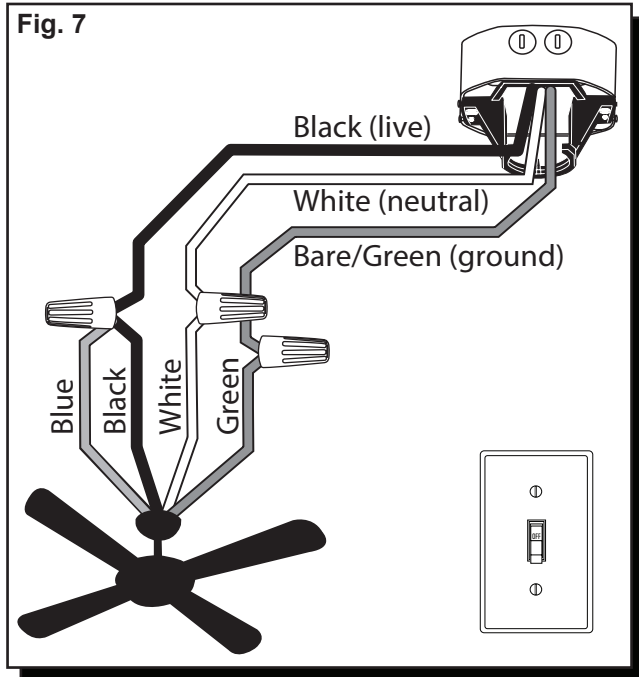
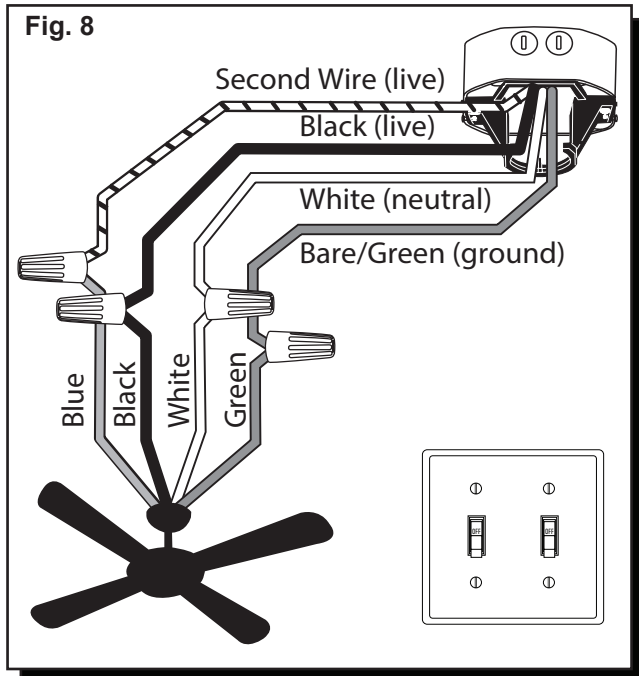
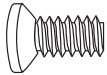


Fig. 8



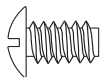
## MOTOR HOUSING INSTALLATION

9. Remove the ten motor screws from the underside of the motor. Set aside for blade arm assembly (Fig. 9).  
**Note:** A cutout in the fitter plate allows easy access to the motor screw holes.



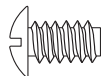
Motor Screw

10. Temporarily lift the motor housing to the mounting bracket to determine which two motor housing screws in the sides of the mounting bracket align with the slotted holes in the top edge of the motor housing. Partially loosen the two motor housing mounting screws that align with the slotted holes. Remove the other two motor housing mounting screws from opposite sides of the mounting bracket (Fig. 10).



Motor Housing  
Screw

11. Slide the motor housing over the motor, aligning the slotted holes in the motor housing with the two loosened motor housing mounting screws in the mounting bracket. Twist motor housing to lock. Then reinstall the two previously-removed motor housing mounting screws and securely tighten all screws (Fig. 11).



Motor Housing  
Screw

Fig. 9

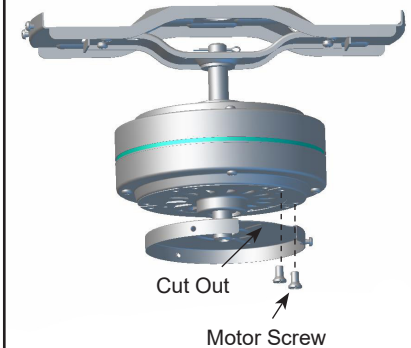


Fig. 10

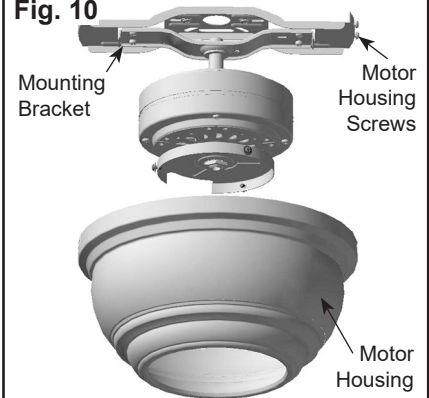


Fig. 11





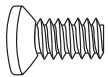
## BLADE INSTALLATION

12. The blades attach to blade arms using the Fast Attach™ system.

Align each twist lock connector in the direction of its corresponding hole in the blade. Place the blade over the twist lock connectors. Rotate each twist lock connector so that it is perpendicular to the hole in the blade. Repeat for the remaining blades (Fig. 12).

**Note:** A cut out in the fitter plate allows easy access to the motor screw holes.

13. Insert the two previously removed motor screws through one blade arm and then into the motor. Tighten motor screws securely. Repeat with remaining blade arms, making sure to completely secure each blade arm before proceeding (Fig. 13).



Motor Screw

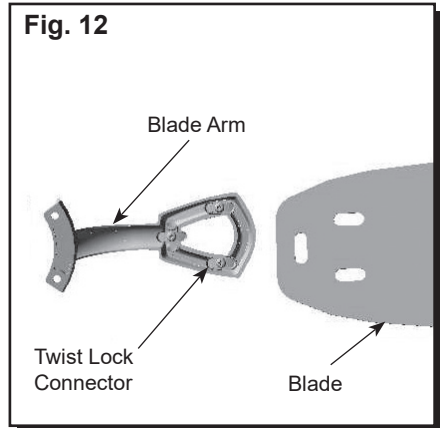


Fig. 12

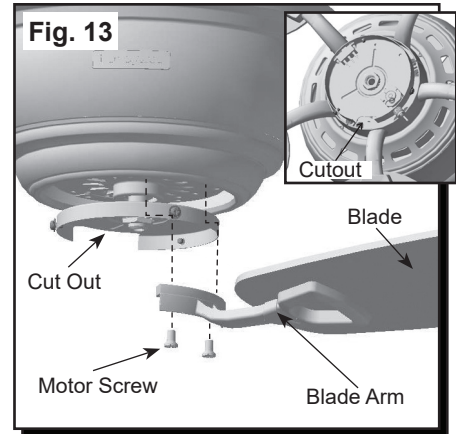


Fig. 13

## LIGHT KIT INSTALLATION

### 14. (Optional) To install the fan without a light kit:

Disconnect the single-pin connectors inside the switch housing labeled “for light kit connection” -- black from blue and white from white. Then, remove the nut and washer located from the threaded rod in the center of the switch housing to remove the light kit and wiring (Fig. 14A).



Nut



Washer

Remove the screws from the fitter plate. Align holes in switch housing with holes in upper switch housing. Reinstall screws that were previously removed. Use a Phillips screwdriver (not included) to secure all screws. Plug the hole in the switch housing with the plastic cap (Fig. 14B). Proceed to step 20.



Plastic Cap



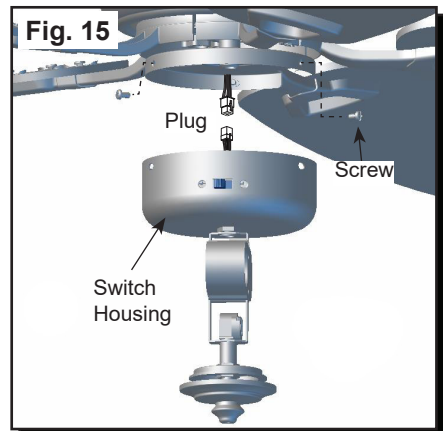
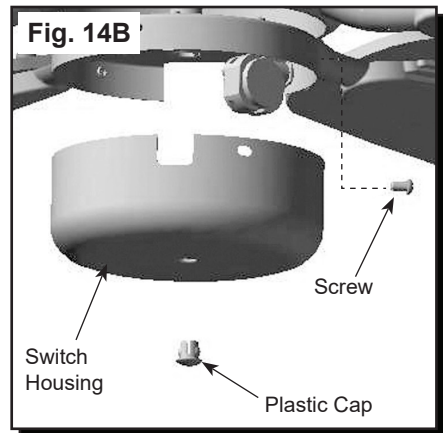
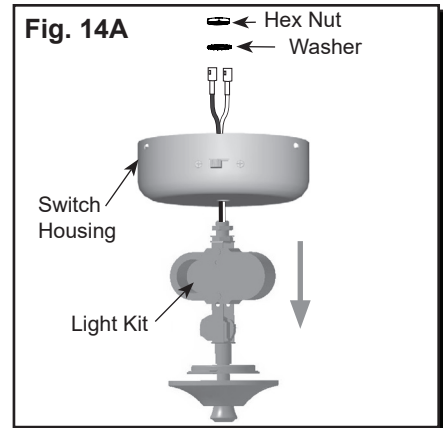
Screw

### 15. To install the fan with light kit:

Remove screws from the fitter plate. Then connect the plug from the motor assembly to the plug from the light kit, matching the colors on each plug. Ensure that the plugs connect tightly (Fig. 15).



Screw



## LIGHT KIT INSTALLATION

16. Align holes in the switch housing with holes in the fitter plate. Reinstall the three screws and washers that were previously removed. Use a Phillips screwdriver (not included) to secure all screws. (Fig. 16).

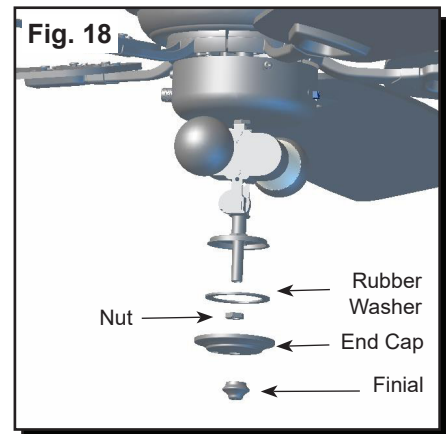
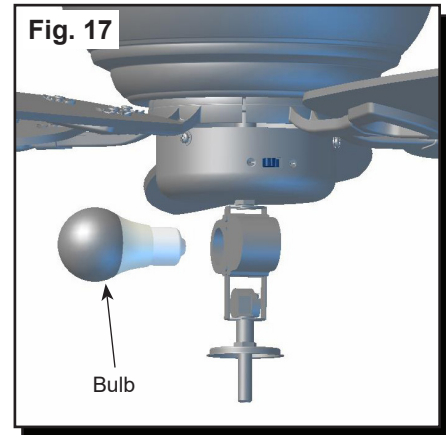
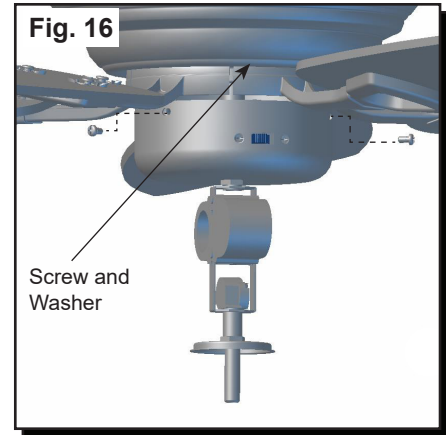


Screw

17. Install bulbs (Fig. 17).

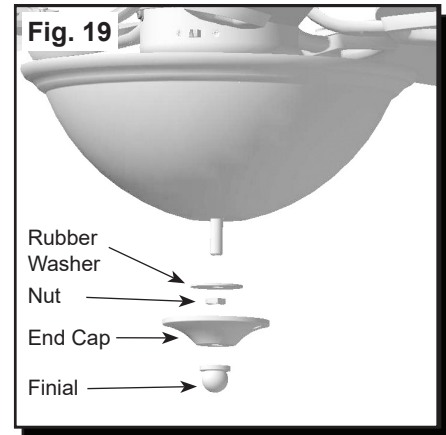
**Important:** When replacing the bulb, allow bulb and light kit to cool before touching.

18. Remove the pre-installed rubber washer, nut, end cap, and finial from the light kit (Fig. 18).

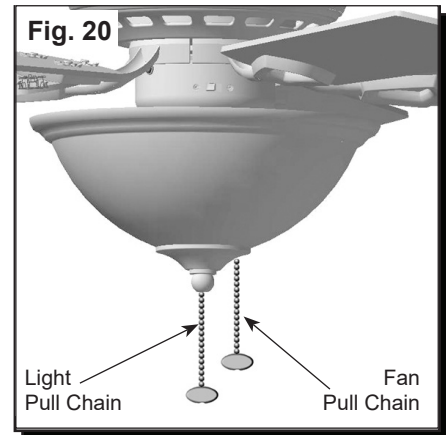
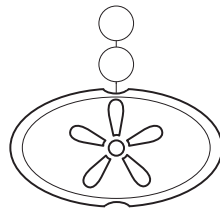
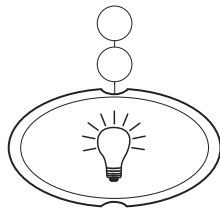


## FINAL INSTALLATION

19. Feed pull chain through the center hole in the glass globe, rubber washer and nut. Lift the glass globe and rubber washer over the threaded rod. Screw the nut onto the threaded rod to temporarily hold the glass globe in place. Feed the pull chains through both holes in the end cap and the center hole in the finial and lift the end cap up until it is flush with the glass globe. Screw the finial onto the threaded rod to hold the light kit in place. (Fig. 19).



20. The pull chain extensions or custom pull chains extensions (included) may be attached to fan and light pull chains (Fig. 20).

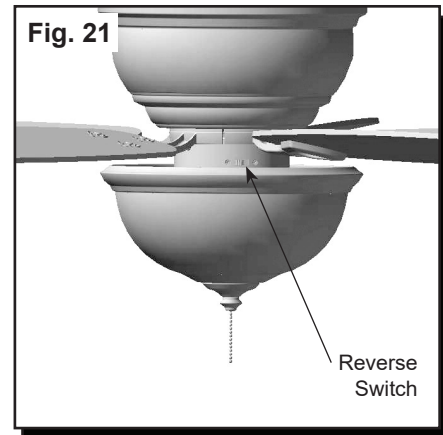


## OPERATING INSTRUCTIONS

21. Use the fan reverse switch, located on the side of the light kit, to optimize your fan for seasonal performance (Fig. 21).

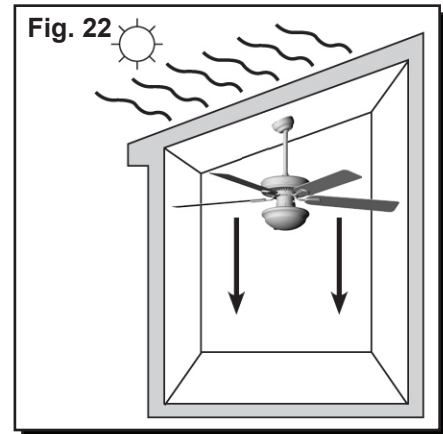
Using a ceiling fan will allow you to raise your thermostat in the summer and lower your thermostat in the winter without sacrificing comfort.

**Important:** Wait for the fan to stop before moving the reverse switch. The reverse switch must be set either completely left or right in order for the fan to function correctly. If the reverse switch is set in the middle position, the fan will not operate.

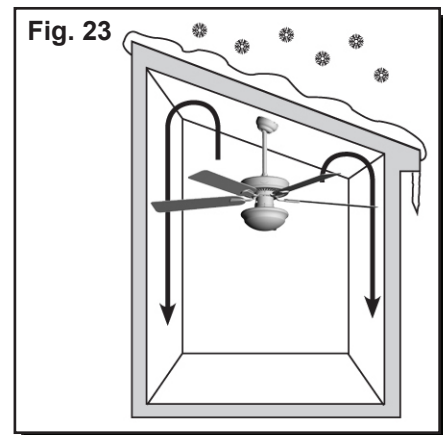


22. **In warmer weather**, push the reverse switch left, which will result in downward airflow creating a wind chill effect (Fig. 22).

**Note:** Energy savings are possible by turning on the ceiling fan and setting the thermostat a few degrees warmer. To maximize savings, turn ceiling fan off when no one is in the room.



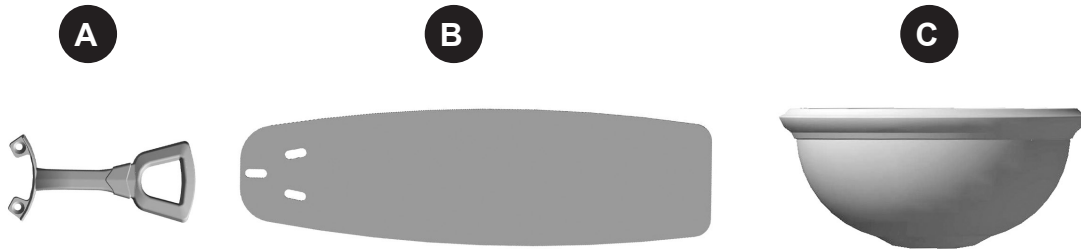
23. **In cooler weather**, push the reverse switch right and the fan to low, which will result in upward airflow that can help move stagnant, hot air off the ceiling area. By mixing the air, the heat may not have to run as often and may yield energy savings (Fig. 23).



## REPLACEMENT PARTS LIST

For replacement parts, call the customer service department at 1-877-361-3883, 8 a.m. - 6 p.m., EST, Monday - Thursday, 8 a.m. - 5 p.m., EST, Friday.

PIECE	DESCRIPTION	MODEL 10214 PART#
A	Blade Arm	10214-A
B	Blade	10214-B
C	Glass	10214-C
D	Loose parts bags containing (not shown): Mounting hardware, blade attachment hardware, electrical hardware, pull chains, wire connectors, etc.	10214-D



## TROUBLESHOOTING

At least twice each year, lower the canopy to check the downrod assembly, and then tighten all screws on the fan. Clean the motor housing with only a soft brush or lint-free cloth to avoid scratching the finish. Clean the blades with a lint-free cloth. You may occasionally apply a light coat of furniture polish to wood blades for added protection.

**Important:** Shut off the main power supply before you begin any maintenance tasks. Do not use water or a damp cloth to clean the ceiling fan.

**Problem: The fan does not move**

1. Turn the power on or check the fuse.
2. Turn the power off. Loosen the canopy and check all connections.
3. Check that the connectors from the light kit fitter and fan are connected properly.
4. Disable the power supply to the fan motor and re-start the motor.
5. The blade is overweight. Do not install the unapproved blades.

**Problem: The fan is noisy.**

1. Check and tighten all screws that hold the fan blades to the blade arms and the motor.
2. Replace the cracked blade.

**Problem: There is excessive wobbling**

1. Check and tighten all screws that hold the fan blades to the blade arms and the blade arms to the motor.
2. Switch one blade with a blade from the opposite side. Or balance the fan using a balancing kit.
3. Turn off the power. Loosen the canopy and verify that the mounting bracket is secure to the electrical outlet box.
4. The bracket must be flush without movement against the outlet box.

**Problem: The fan operates correctly, but the lights are not working (if applicable).**

1. Re-install the bulb(s).
2. Ensure that the male and female plugs in the light kit fitter are connected properly.
3. Turn the power off and check all connections at the ceiling outlet box.

## LIMITED LIFETIME WARRANTY

Subject to the limitations set forth below, Hong Kong China Electric appliance Company (HKC) warrants the fan motor for this ceiling fan to be free from defects in workmanship and material for the life of the product. Also, subject to the limitations below, HKC warrants all ceiling fan parts (“ceiling fan parts” excludes the motor and parts made in whole or in part with glass) to be free from defects in workmanship and material for a period of one year after the date of purchase by the original purchaser at retail.

All claims must be made by the original purchaser, whether such purchaser purchased the product through a store or contractor. Ceiling fan part defects must be reported within the first year from the date of purchase. Parts made in whole or in part with glass and the finishes of metal and other surfaces are not warranted.

Purchasers are responsible for all costs of removing and reinstalling the product. Any damage to any part caused by ordinary wear and tear, accident, misuse, or improper installation, is not covered by this warranty. HKC assumes no responsibility whatsoever for fan installation. Any service performed by a non-licensed electrician will render the warranty invalid.

HKC’s sole responsibility shall be to repair or replace the motor, parts, or product within the terms stated above. HKC SHALL NOT BE LIABLE FOR ANY LOSS OR DAMAGE OF ANY KIND, INCLUDING ANY INCIDENTAL OR CONSEQUENTIAL DAMAGES RESULTING DIRECTLY OR INDIRECTLY, FROM ANY BREACH OF WARRANTY, EXPRESS OR IMPLIED, OR ANY OTHER FAILURE OF THIS PRODUCT. SOME STATES DO NOT ALLOW THE EXCLUSION OR LIMITATION OF INCIDENTAL OR CONSEQUENTIAL DAMAGES SO THIS LIMITATION MAY NOT APPLY TO YOU.

IF THE ORIGINAL PURCHASER CEASES TO OWN THE FAN, THIS WARRANTY IS VOIDED.

Should the purchaser encounter a problem with your fan related to defects in workmanship or materials within the warranty period associated with the defective part, HKC agrees to replace the defective part without charge, or at its option, to replace the ceiling fan with a comparable or superior model.

HKC’S WARRANTIES ARE LIMITED TO THE WRITTEN WARRANTIES SET OUT IN THIS HKC CEILING FAN LIMITED LIFETIME WARRANTY. ALL OTHER EXPRESS AND IMPLIED WARRANTIES, INCLUDING, WITHOUT LIMITATION, THE IMPLIED WARRANTY OF FITNESS FOR A PARTICULAR PURPOSE AND THE IMPLIED WARRANTY OF MERCHANTABILITY ARE DISCLAIMED. SOME STATES DO NOT ALLOW THE DISCLAIMER OF IMPLIED WARRANTIES, SO THIS DISCLAIMER MAY NOT APPLY TO YOU.

To obtain warranty service, please write down your model number and call Customer Service at 1-877-361-3883, Monday-Thursday, 8am - 6pm, EST and Friday, 8am - 5pm, EST. Please have a copy of the receipt as proof of purchase.

---

The Honeywell Trademark is used under license from Honeywell International Inc. Honeywell International Inc. makes no representations or warranties with respect to this product. This product is manufactured for:

Hong Kong China Electric Appliance Manufacture Co., Ltd.  
3059 Forest Hill Irene Rd, Suite 103  
Germantown, TN 38138  
1-877-361-3883